



## STAINLESS 316 (A4) DECK FILLERS

All have cap chains to prevent loss, except waste versions where cap chain would prevent pump out suction. Can be used in marine and other applications.

316 A4 STAINLESS C/W COLOUR CODED NYLON KEYLESS CAP (pic A)

**DFS38PKD** DIESEL (RED CAP) 38 mm (WAS 09338)

316 A4 STAINLESS C/W STAINLESS KEYLESS CAP (pic B)

**DFS38SKD** DIESEL (WAS 09838)

**DFS38SKP** WASTE PUMP OUT 38 mm (WAS 09938)

316 A4 STAINLESS KEYED CAP (pic C)

**DFS38BKD** DIESEL 38 mm (WAS 08860)

**DFS38BKP** WASTE PUMP OUT 38 mm (WAS 08860)

## BLACK NYLON SCREENED VENT

Use for neat through wall venting of tanks. Ideal for fillers without a vent connection. Can be used to vent toilet holding tanks. Suitable for 15-19mm hose.

**DFV74200** BLACK NYLON SCREENED VENT. (pic E)

## MARINE SKIN FITTINGS

A vital component in the bilge pump system where strength and quality should not be compromised. Made from lightweight, non corrosive Acetal they are strong and very high quality. Available in 4 sizes: 16mm (5/8"), 19mm (3/4"), 25mm (1") & 38mm (1 1/2")

**WSF5018** 16mm (5/8") SKIN FITTING

**WSF5131** 19mm (3/4") SKIN FITTING

**WSF5204** 25mm (1") SKIN FITTING

**WSF5425** 38mm (1 1/2") SKIN FITTING

## MARINEFLEX HOSE

Flexible marine sanitation hose we have developed to ensure it is odour permeation proof. Essential for marine toilets and waste water to prevent nasty smells. Smooth bore to prevent clogging available in sizes 38mm, 25mm & 19mm.

**M5S** 38 MM MARINEFLEX Marine Toilet & Waste Hose

**M2S** 25 MM MARINEFLEX Marine Toilet & Waste Hose

**M3S** 19 MM MARINEFLEX Marine Toilet & Waste Hose

## SHOWER CATCHMENT TANKS

Installed in Boats for automatic collection and pumping of wastewater from showers or outlets below the water line or inlet of holding tank. Also used for the automatic transfer of waste over long pipe runs to holding tank.

We build up the tank to suit your installation, any number of inlets are welded into the plastic tank, we install our automatic level switch and set up the tank to take your choice of bilge pump, this can be a submersible bilge pump or an external inline bilge pump. Almost any combination is possible. The most popular of our tanks used for a catchment tank is the 250T tank. This is usually fitted with bilge pump MBP570115 and automatic float MAS850105.

## Pressure Pump Strainer

**WFV2060** - Pressure Pump Straine

For Direct Connection To 13 mm (1/2") Plumbing Systems

- Easily maintained without disconnecting from pipework
- Clear bulb for easy inspection
- Ideal for use with freshwater pumps
- Prevents debris from entering the pump



**WFV2060**

## ORCA BILGE PUMP RANGE

Orca Electric Bilge Pumps Compact and Powerful

- Simple to install multiple wire locations
- High performance - low amp draw means long battery life
- Easy maintenance access to motor cartridge and filter area
- Available in 500, 950 and 1300 GPH models
- 3 year Warranty

**WBE0500** (500 US GPH 12 V d.c.)

**WBE0950** (950 US GPH 12 V d.c.)

**WBE1450** (1300 US GPH 12 V d.c.)

**WBE1454** (1300 US GPH 24 V d.c.)



**ORCA BILGE PUMPS**

## Float Switch WBE9002

Float switch Ideal for use with Electric Bilge Pumps

Including Whale Supersub or Orca Ranges

- Environmentally friendly - no toxic mercury
- Easy to install mounted on either horizontal or vertical surface (e.g. bulkhead or hull)
- Suitable for installations where amp draw is up to 15 amps
- Compact design
- Can be used as a high water bilge alarm (when vertically mounted)

**WBE9002**



## SUPERSUB SMART 650 WSS5212

Low profile fully automatic bilge pump. Narrow design ideal for tight spaces, automatically senses bilge water level and switches on and off. 12volt 3.4 A, Size L 212 x W 54 H 75 height includes outlet in vertical position, swivel 3/4" 19mm outlet, Flow rate at 1mtr (3ft) head 2040 litres per hour (550 US GPH)

- Quick and easy installation
- Unaffected by wave motion
- Environmentally friendly - mercury free
- Includes manual override facility
- Solid state Electric Field Sensor Technology switching - no moving parts.

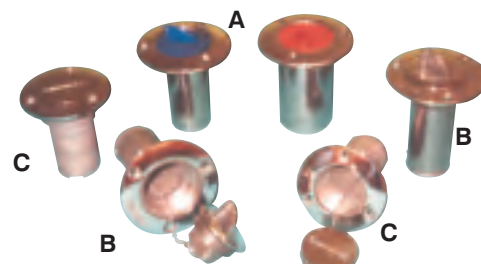


**WSS5212**

## STAINLESS 316 (A4) DECK FILLERS



**KEYLES**



**D**

**DFK09901**



**E**

**DFV74200**



**SKIN FITTING  
WSF5018**



**MARINEFLEX HOSE**

## Strum Box

3/4" (19mm) Strum Box with Multi-Directional Port and Non-Return Valve

- Ideal for use with remote mounting bilge pumps (see page 45)
- Easy installation - multi directional port options for either top or side entry
- Non-return valve prevents back flow into the bilge
- Designed to fit deep down in the bilge



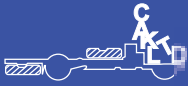
**WSB3422**

## JABSCO ECO-Switch

The Rule ECO-Switch is an ecologically sound automatic bilge pump control switch. Featuring a non-mercury design, the pump operates with simple air pressure. As water rises in the bilge, air rises in the air tube that is attached to the switch. The air pressure activates the switch which controls your pump. All wiring is out of the water and there are no submerged electrical connections at all. Offering complete reliability and outstanding performance, the Rule ECO-



**JMBS39**



## JABSCO LITE FLUSH TOILETS

A NEW Electric Toilet designed to give your bathroom a modern, stylish look. The Lite Flush is Jabsco's new stylish low power consuming electric toilet. The installation is quick and straight forward with Integral rinse and waste pump system with low water usage of only 1.2 litres. The compact and lightweight design with its ceramic bowl, slow close seat and lid and plastic outer casing makes it very easy to clean. It is fitted with a new quiet and efficient flush pump which has large clearances to help prevent blockages.

Supplied with a new multi-function "one touch" wall mounted control panel.

**Fitting:** Connections for 1/2" (19mm) ID inlet hose and 1 1/2" (38mm) outlet hose.

**Size:** 14 1/2" (37cm) high x 15 1/2" (40cm) wide x 15 1/2" (40cm) deep.

**Weight:** 24lb (11kg).

**JM58500-1012** LITE FLUSH 12V TOILET & CONTROL PANEL



**JM58500-1012**



**JM58040**

## JABSCO DELUXE FLUSH TOILETS 17" STRAIGHT BACK

The Deluxe Flush range is Jabsco's newest offering to the top of the range electric toilet market. The stylish and extremely compact design is carefully contoured to conceal the flush pump, wiring and plumbing, whilst still featuring a full-size household seat. The toilets feature a NEW multifunctional 'one touch' control pad, Choice of four rinse options for minimum water usage 1.5 US Quarts (1.5 litres), Anti-blocking centrifugal flush pump, High vitreous china bowl, No 'dirt traps' for maximum hygiene and easy cleaning. Series are supplied with a solenoid valve and syphon breaker assembly for connection to any existing pressurised water system capable of delivering 2.9 US gpm (11 lpm) or more. The syphon breaker ensures there is no backflow from the toilet into the water system. **Fitting:** Connections for 3/4" (19mm ID inlet hose and 1 1/2" (38mm) outlet hose. **Size:** 17 1/4" high x 14 1/2" wide x 17 1/2" deep (44.0cm x 37.0cm x 44.5cm).

**Weight:** 58040 Series - 69lb (31kg).

**JM58040-1012** 12V DELUXE FLUSH 17" STRAIGHT BACK ELECTRIC TOILET WITH SOLENOID

**JM58040-1024** 24V DELUXE FLUSH 17" STRAIGHT BACK ELECTRIC TOILET WITH SOLENOID



**JM29015**



**JM29295**

## VENTED LOOPS

**JM29015-000** 3/4" 19MM VENTED LOOP

**JM29015-0010** 1 1/2" 38MM VENTED LOOP

**JM29015-0020** 1" 25MM VENTED LOOP

## In-Line Non-Return Valves

Non-return valves fit in a pump's suction hose to aid priming and prevent backflow of water into the bilges.

**JM29295-1000** INLINE NON RETURN VALVE 25MM 1"

**JM29295-1010** INLINE NON RETURN VALVE 40MM 1 1/2"

**JM29295-1011** INLINE NON RETURN VALVE 19MM 3/4"

## JABSCO WASTE PUMP

Robust diaphragm pump passes solids, effective in emptying holding tanks. Multi-positional pump head offers a variety of installation options. 5 gpm (19 lpm) output, Self-priming up to 10ft (3m). Capable of extensive dry running, Compact and simple design, **Fitting:** Connections for 1 1/2" (38mm) ID hose. **Size:** 10.9" long x 6.1" wide x 4.4" high (27.7cm x 15.5cm x 11.1cm). **Weight:** 6lb (2.7kg).

**JM50890-1000** WASTE PUMP 12V 5GPM 19LPM

## JABSCO Run-Dry Macerator Waste Pump

Now with a fully sealed motor and a new more four bladed chopper added to further reduce the possibility of clogging. Detects the absence of fluid then shuts-off pump before impeller is damaged. Sensor provides adequate run-dry period to allow initial priming of the pump. Self-priming to 4ft (1.2m) vertical lift. **Fitting:** Inlet Port: 1 1/2" (38mm) Hose Barb plus 1 1/2" NPT. Inlet Port, **Size:** 11 3/8" long x 4 3/4" wide x 3 5/8" high (29cm x 12cm x 9cm).

**JM18590-2092** MACERATOR PUMP 12V 12GPM 45LPM



**JM30573**

## JABSCO Y-Valve

Robust Y-Valve with rotating ports allow for variable routing of hoses onto the valve. Waste and corrosion resistant construction. Padlock can be added so that waste can only go to the holding tank to comply with some local regulations throughout. **Fitting:** Connections for both 1 1/2" (38mm) ports and 1" (25mm) inlet port. **Size:** 7 5/8" long x 7 1/4" wide x 4 5/8" high (20cm x 19cm x 12cm).

**JM45490-1000** Y INLINE DIVERTER VALVE 38mm & 25mm



**50890**



**JM45490**



**JM18590**



**JM50880**

## JABSCO Shower Drain Pump

Robust diaphragm pump suitable for shower and sink drain applications with a multi-positional pump head, 4.2 gpm (16 lpm) open flow output at 3ft (1m) head, Self-priming up to 10ft (3m) vertical lift allows mounting above wet bilges, Flexible Installation, Compact and simple design, Filter-less, Quiet running, Capable of extensive dry running, Corrosion resistant parts. **Fitting:** Connections for 3/4" (19mm) ID Hose. **Size:** 11.7" long x 5.9" wide x 4.4"

**JM50880-1000** SHOWER DRAIN PUMP 12V 16LPM

## RULE Electric Submersible Pumps

This is just a selection of the most popular products from the range. All models are available to order if we don't have it in stock.

3/4" (19mm) discharge outlet.

**JMBP24** 12V 360GPH 1363LPH SUB BILGE PUMP

**JMBP25D** 12V 500GPH 1893LPH SUB BILGE PUMP

**JMBP20R** 12V 800GPH 3028LPH SUB BILGE PUMP

**JMBP21R** 24V 800GPH 3028LPH SUB BILGE PUMP

1" (25mm) discharge outlet.

**JMBP27D** 12V 1100GPH 4162LPH SUB BILGE PUMP

**JMBP28D** 24V 1100GPH 4162LPH SUB BILGE PUMP

## Rule-A-Matic® Float Switch

Latest design now has removable base for easy cleaning & servicing, a mercury free snap switch tested to over one million cycles and marine grade "blocked" wire. Designed for pumps drawing up to 14 Amps at 12 volt DC. **Size** 2 1/4" x 5" x 1 3/4" (57 x 127 x 58mm),

**JMBS35A** RULE A MATIC FLOAT SWITCH 12V 14A 24V 7A

**JM59510-0012** MAGNETIC DRIVE HOT WATER CIRCULATION PUMP 12V 19MM CONNECTIONS



**JMBP24R**



**JMBP25D**



**JMBP20R**



**JM59510**



**JMBP27D**



**JMBS35A**







## DIVERTOR VALVES

Allows one pump to draw from two locations enabling flexibility of pump installations. Smooth lever operation, Precision machined eliminating seepage and odour problems. Teflon lubricated non-stick operation. Complies with USCG rules for Type 3 waste systems. Handle extension WEK5634 (optional) enables fitting behind bulkhead or panel. 2 models for 1" (25 mm) and 1 1/2" (38 mm) hose.

**WDV5606 1 1/2" (38 mm) DIVERTOR VALVE.**

**WDV5630 1" (25 mm) DIVERTOR VALVE.**

## SUBMERSIBLE BILGE PUMPS

**SUPERSUB 360 / 500** is a low profile design for narrow bilges. It can be installed with horizontal or vertical outlet position. The strainer is removable for easy cleaning & is designed to leave a minimum water level of 10mm (3/8") in bilge. The pump is also easy to clean with "twist lock" assembly/disassembly. There is a choice of flow rate of 25 or 35 litres per min (360 or 500 gals per hour). The pump can be mounted on horizontal or vertical surfaces. Outlet connection 19mm, If a 19mm non return valve is fitted inline (Use WL1219) it stops water flowing back into bilge. Very low power consumption (360 1.9A average, 500 2.5A average). 12 V DC Only.

**WSS3612 SUPERSUB 360 BILGE PUMP**

**WSS5012 SUPERSUB 500 BILGE PUMP**

## GULPER 320 REMOTE MOUNTED BILGE PUMP

**GULPER 320** Remote mounting Bilge Pump Specially designed to pump waste water at outputs up to 20 Litres per minute. The pump has non-choke valves is self-priming. Will run dry and pump a mixture of air and water. No filter is required. Easy to install in confined spaces because of multi directional head so can be mounted almost anywhere. Quiet running with Low power consumption makes the GULPER 320 the ideal choice remote bilge pump. Performance meets ISO15083 Small Craft Bilge Pump standard for vessels up to 12m (39.4 ft).

**WBP2052B GULPER 320 BILGE PUMP 12 VOLT**

**WBP2054B GULPER 320 BILGE PUMP 24 VOLT**

## SHOWER DRAIN & WASTE WATER PUMP

**GULPER 220** Shower Drain & Waste Water Pump Specially designed to pump waste water at outputs up to 14 litres (3.7 US gals) per minute. Quiet running with low power consumption. Large single diaphragm, with virtually non-choke valves & double outlet valve ensuring a continuous flow. No filter required, Will run dry without damage and pump a mixture of air and water, Self-priming up to 3 metres (10 ft). Easy to install in confined spaces with Multi directional head so Can be mounted almost anywhere.

**WBP1552 GULPER 220 shower & waste water pump 12 VOLT**

**WBP1554 GULPER 220 shower & waste water pump 24 VOLT**

## ELECTRIC TOILET WASTE PUMP

**GULPER TOILET PUMP** For Holding Tanks & Vacuum Systems pumps Up to 18 litres (4.75 US gal) per minute. Easy to maintain large Virtually unblockable, single diaphragm has a rotatable inlet and outlet allowing flexibility, while being installed in awkward locations so it can be mounted in the most convenient part of boat. Can run dry without damage & is self-priming up to 3m (9.8 ft). Pumps unmacerated waste & a mixture of air and waste. Ideal for self pump out on Narrow boats.

**WBP2552 GULPER TOILET WASTE PUMP 12 VOLT**

**WBP2554 GULPER TOILET WASTE PUMP 24 VOLT**

## MANUAL TOILET WASTE PUMP

**SANITATION PUMP** Can be mounted in various orientations/positions. High quality lightweight yet tough ABS plastic housing keeps in nasty smells. Easy to clean (no tools required) with large unblockable valves. Output up to 56 litres (14.8 US gals) per minute. Maximum lift is 4.5 m (15ft) & Maximum head is 4.5 m (15ft). Pump has 38mm (1 1/2") inlet and outlet. Ideal for industrial applications and mobile toilet units as a backup.

**WBP0527 SANITATION PUMP BULKHEAD MOUNT**

## BILGE STRAINERS

**BILGE STRAINERS** are fitted at end of suction hose deep in bilges (allowing maximum amount of water to be pumped from bilges while stopping debris entering suction hose).

Fitted non-return valve prevents drain back while removable straining plate enables easy cleaning. Available in top entry (for deeper bilges) or side entry (shallower bilges).

Suitable for 1" (25mm) and 1 1/2" (38mm) hose.

**WSB4222 STRAINER SIDE ENTRY**

**WSB5865 STRAINER TOP ENTRY**

## HAND & FOOT OPERATED MANUAL PUMPS

**WGP0418 FLIPPER PUMP MK 4 Hand pump**

Light easy to & fro movement pumps 7 litres per minute. Swiveling outlet makes it suitable for use with two sinks. Good flow control, suitable for fresh & salt water.

**WGP0650 'V' PUMP MK 6 Hand pump**

Smooth flow discharges on each up and down stroke, pumps approx. 8 litres per minute. Narrow footprint and swiveling action allows installation between two sinks. Height adjustable when in use. Suitable for fresh & salt water.

**WGP0550 GUSHER GALLEY MK 3 Foot pump**

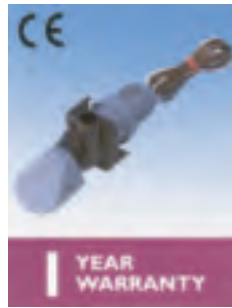
Smooth, double acting, pumps on up and down stroke to supply 16 litres per minute. Many mounting variations are possible with multi directional water connections. Suitable for fresh & salt water usage.

**WGP1309 TIPTOE PUMP MK 4 Foot pump**

Neat thru-floor mounted plunger, locks down flush with floor when not in use. Easy smooth action for output of 7 litres per minute. Suitable for fresh & salt water usage.

**WGP4618 BABY FOOT PUMP MK 2**

Compact, low-cost single acting, useful in restricted spaces. Smooth performance provides 8 litres per minute. Comfortable pumping action, easy to install



WSS3612



WDV5630



WBP2052B

3 YEAR WARRANTY



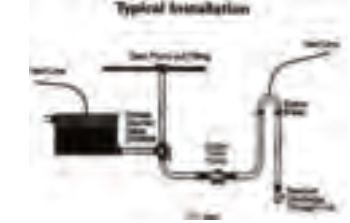
WBP1552

1 YEAR WARRANTY



WBP1552

1 YEAR WARRANTY



Typical Installation



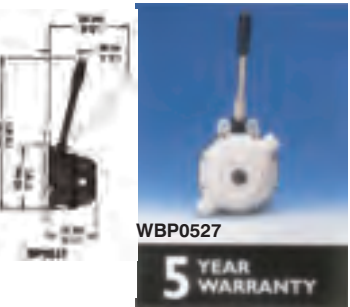
WSB4222 Side Entry



WSB5865 Top Entry

Flipper Pump Mk 4

5 YEAR WARRANTY



WBP0527

5 YEAR WARRANTY

Gusher Galley Mk 3

5 YEAR WARRANTY



Tiptoe Pump Mk 4

5 YEAR WARRANTY



V Pump Mk 6

5 YEAR WARRANTY

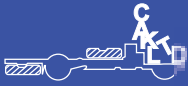


Babyfoot Pump Mk 2

5 YEAR WARRANTY

WE NOW OFFER INSTALLATION SERVICE IN KENILWORTH BY [SupremeTech.co.uk](http://SupremeTech.co.uk)





# NAUTIC PRODUCTS FLEXIBLE TANKS



## NEW NAUTIC PRODUCTS FLEXIBLE WATER, WASTE & FUEL TANKS

The technique of storing and transporting liquids through the use of flexible tanks has many advantages: · lightweight but immensely strong - handy shape and size - extremely adaptable due to inherent flexibility easy installation.

**NAUTIC FLEXIBLE TANKS** provide many advantages over rigid tanks and have therefore, become very popular with both yacht-builders and boat owners.

Each of these tanks uses an extremely rugged 935-dtex nylon fabric, coated on both sides with a neoprene / nitrile compound.

Heavily lapped seams are inside-reinforced with a "doubler" to provide extra strength. All **NAUTIC** tanks are vulcanised to assure leak proof panels and seams for years of trouble-free service.

Because of their flexibility and the range of sizes, these tanks can fit into almost any space, especially those odd-shaped places that would otherwise be wasted.

**NAUTIC PRODUCTS** tanks are very easy to work with allowing custom placement of fittings to suit your particular requirements and making it simple to install them (See Fittings for Nautic Products Flexible Tanks)

### Fresh Water Tank

Our most popular application is also the easiest way to increase or replace water capacity on boats whose tank is inadequate or deteriorated.

**NAUTIC** flexible water tanks use an exclusive Tedlar inside lining to maintain a taste-free system compared to most fiberglass and metal tanks that contribute a distinct, unpleasant taste to fresh water. Tedlar does not. No venting is required for water tanks; only a fill pipe and a simple draw line to head and / or gallery pumps.

### Waste holding tank

The more rigorously enforced laws against overboard discharge now make non-compliance extremely costly. A **NAUTIC** flexible holding tank, on the other hand, provides a relatively inexpensive Type III solution. In addition, the Tedlar lining of these **NAUTIC** tanks prevents gas permeation, thus stopping a major odour problem with many other holding tanks. Combined with a few other components, this solution is both legal and far less costly than replumbing a vessel or installing a more complex and expensive Type I or Type II system: it occupies less space and requires no electrical power. *(The illustrated example would allow those travelling into unrestricted waters to pump overboard.)*

You cannot use an unvented flexible tank for waste holding, it **MUST** be a vented tank, and the vent line must exit to the outside the boat.

### Portable fuel tanks

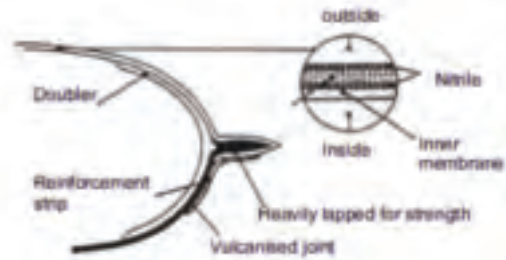
**NAUTIC** Products Flexible Portable Fuel Tanks are a remarkable improvement over the conventional metal fuel tanks. Their rubber construction cannot leave rust or rings on wood, fibreglass or metal decks; the soft structure will not scrape off paint. They bring the convenience of fitting into small spaces and being able to be rolled up when empty. **NAUTIC** tanks are both easier to carry and easier to tie down afloat, don't rattle underway and show by their size how much fuel remains. They are also heat resistant.

#### NAUTIC - Fuel Tanks & used water holding tanks (Large Capacity)

CODE	Capacity (L/Gal)	Dimensions cm
NFT5621	300 / 80	139 x 127
NFT5622	470 / 125 139 x 151	
NFT5623	600 / 160 139 x 173	
NFT5624	750 / 200 139 x 204	
NFT5625	1000 / 265	139 x 256
NFT5626	1150 / 300	139 x 278
NFT5627	1325 / 350	139 x 320
NFT5628	1500 / 400	139 x 362
NFT5630	1600 / 422	139 x 382
NFT5629	2000 / 530	139 x 466

### ADDITIONAL FITTINGS

We have designed a comprehensive range of nylon fittings to be used only on **NAUTIC** tanks. Each type of fitting is composed of 3 parts which ensure together with the rubber seal and the rubber coated fabric a complete seal.. Generally, vent fittings are required on holding or gas tanks (not required on water), should be positioned at the higher end of the tank, while draw fittings are best located at the lower end. Under no condition should fittings be installed on the bottom side of the tank. All fittings should be installed in the top half of the tank and not closer than 4" to the edge and not through a seam doubler.



### CONSTRUCTION



#### NAUTIC - Tanks for fresh water and drinking water

CODE	Capacity (L/Gal)	Dimensions cm
NFT1120	55 / 14 ½	67 x 62
NFT1150	90 / 23 ½	67 x 85
NFT1160	135 / 35 ½	67 x 115
NFT1170	260 / 68 ½	85 x 139
NFT1180	200 / 52 ½	67 x 158
NFT1210	150 / 39 ½	110 x 152 x 152

#### NAUTIC - Fuel Tanks & used water holding tanks

CODE	Capacity (L/Gal)	Dimensions cm
NFT5120	55 / 14 ½	69 x 64
NFT5150	95 / 25	69 x 87
NFT5160	140 / 37	69 x 117
NFT5180	200 / 52	69 x 160

#### NAUTIC - Portable Fuel Tanks for Outboard Motors

CODE	Capacity (L/Gal)	Dimensions cm
NFT51100	25 / 6	42 x 23 x 25
NFT51101	35 / 9	42 x 32 x 25
NFT51102	50 / 13	42 x 45 x 25
NFT51103	70 / 18	42 x 61 x 25
NFT51151T	35 / 9	73 x 45 x 35 x 17
NFT51153T	70 / 18	73 x 45 x 35 x 30



0844 414 2324



0844 414 2425





# NAUTIC BOILERS



Marine

## CALORIFIER & MAINS ELECTRIC STORAGE WATER HEATERS.

Our range of Nautic water storage heaters have been developed to ensure high quality and reliable water heaters are available in a wider range. Many features, normally supplied as extras or options, are included as standard with the Nautic boiler range.

### NAUTIC BOILER RANGE

Manufactured in six models the 19 litre model is rectangular, the 12, 22, 30, 45 & 60 litre models are horizontal cylinders. The Nautic boilers are highly energy efficient, using the waste heat from your engine cooling system to provide hot water to your pumped domestic water system. To ensure water is available in all situations, the Nautic boilers come as standard with 1200 watt electric immersion elements with adjustable thermostat. The highly efficient design and construction of the nautic boilers provide quick heat up rates, large surface area copper heat exchanger enables effective heat transfer to the stored water. A brass access flange permits easy interior inspection of Nautic models.

Please note BB1912 cannot be mounted on its side as picture it is purely this way for photography. Connections must be at the top or base.

All Nautic Boiler models provide high levels of performance and efficiency and are equipped with the following additional standard features,

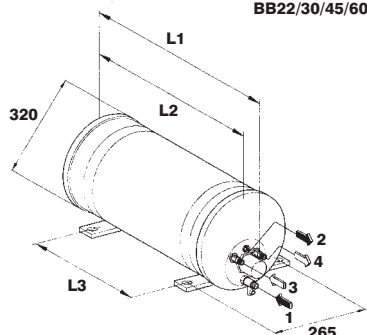
- Glass lined steel tank for strength & very long life.
- Strong stainless steel mounting saddle and brackets.
- Pressure release safety valve (4 bar + - 1).
- Magnesium anode protects boiler from galvanic currents.
- Boilers tested to 8 (bar) 200 % of operating pressure to ensure safety and product quality.
- High quality outer casing to protect thermally efficient polyurethane insulation jacket.
- Boiler element voltage 230-240 volt 50 hz.

Due to the closed cell polyurethane foam insulation and outer casing the water temperature losses will be less than 1°C per hour. This enables water to be stored and remain warm for a longer period.

- 1, Cold water in 1/2" BSP male
- 2, Domestic hot water out 1/2" BSP male
- 3, Engine cooling water in 1/2" BSP male
- 4, Engine cooling water out 1/2" BSP male

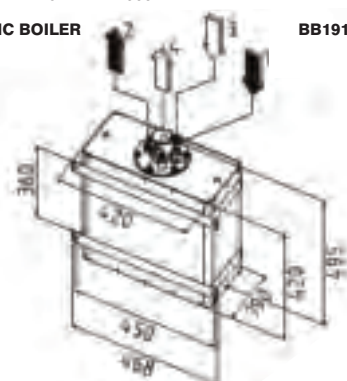
PRODUCT SPECIFICATIONS	NAUTIC BOILERS					
BOILER MODEL	BB1212	BB1912	BB2212	BB3012	BB4512	BB6012
HEAT EXCHANGER	YES	YES	YES	YES	YES	YES
MAINS ELEMENT WATTS	1200W	1200W	1200W	1200W	1200W	1200W
VOLTAGE	230V	230V	230V	230V	230V	230V
WATER CAPACITY LTR	12	19	22	30	45	60
WEIGHT KG	12	13	14	16	20	24
MAX LENGTH L1 (mm)	395	495	475	620	880	1060
CASING LENGTH L2 (mm)	250	420	400	545	805	985
FIXING CENTRES L3 (mm)	175	360	300	445	710	885

### NAUTIC BOILER SIZES



BB22/30/45/60

### NAUTIC BOILER SIZES



BB1912

## STAINLESS TANK NAUTIC BOILERS

### (Mains element + Calorifier)

The Nautic Stainless has all the features of our standard single coil Nautic range with the added advantage of ANSI 316L stainless steel tank for long-term reliability in highly corrosive installations. Polyurethane injected foam insulated with outer casing as standard. Specially designed for saltwater or other corrosive environments. Sizes the same as standard nautic boilers. Stainless models all connections 1/2" BSP male thread.

**BB2212X 22 LITRE + MAINS 1200 WATT ELEMENT + CALORIFIER**



NAUTIC BB12



BB2212X

## THERMOSTATIC MIXER VALVE FOR NAUTIC BOILERS

Our new Thermostatic mixer valve kit is manufactured in plated brass. Suitable for installation directly to the boiler with hose and connectors. The Mixer valve automatically adds cold water to the hot water being drawn from your water heater to prevent scalding water arriving at your tap. Those at greatest risk of scald injury include children, disabled and diabetics.

### NAUTIC CALORIFIER XT® (Mains element + Single /Twin coil)

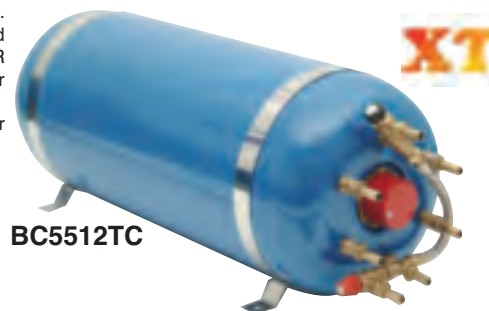
A new development of our range, the Nautic Calorifier XT® is produced with single or twin coils & XT® technology. Electric element is installed with the hot and cold water connections, thermostatic anti scald mixer valve and 4 bar pressure release safety valve. The twin coil version allows engine cooling system and a direct feed by a Webasto or Eberspacher supplementary heater to be used individually or together in independent circuits. The boiler is made from 100% copper for exceptional performance and reliability benefits. Polyurethane insulation jacket enables the boiler to retain heat for up to 24 hours. Supplied with stainless steel mounting brackets and domestic water connections ready for 15mm push fit and barbed engine coil connections.

A 230-240 volt electric element is installed with the hot and cold water connections, a thermostatic anti scald mixer valve and 4 bar pressure release safety valve. Operating pressure 16- 45 psi (1-3 bar), built in 4 BAR pressure relief safety valve, Adjustable thermostat set to 80-90°C max. Adjustable thermostatic mixer valve for water temperature outputs of 45 oC to 65 oC.

The twin coil version allows for the engine cooling system and a direct feed by a Webasto or Eberspacher supplementary heater to be used individually or together in independent circuits.

We have other boiler sizes in development so please ask if you want something different.

- BC4012C 40 LITRE + MAINS 1250 WATT ELEMENT + SINGLE CALORIFIER**  
Length 760mm, Height 350mm, Width 340mm. Dry weight 12.5 kg.
- BC5512TC 55 LITRE + MAINS 1250 WATT ELEMENT + TWIN CALORIFIER**  
Length 975mm, Height 350mm, Width 340mm. Dry weight 14 kg.
- BC6512C 65 LITRE + MAINS 1250 WATT ELEMENT + SINGLE CALORIFIER**  
Length 855mm, Height 410mm, Width 400mm. Dry weight 16 kg.
- BC7512TC 75 LITRE + MAINS 1250 WATT ELEMENT + TWIN CALORIFIER**



BC5512TC

WE NOW OFFER INSTALLATION SERVICE IN KENILWORTH BY [SupremeTech.co.uk](http://SupremeTech.co.uk)

# NAUTIC PRODUCTS



We have manufactured and supplied a wide range of quality equipment for over 40 years. We endeavour to specify products to the highest quality to ensure long term reliability and performance in use. We have collected into this section a selection of our product range suitable for marine use. Many of the items in other sections are specified to marine grade standards to meet our commitment to the utmost reliability in our products.

In our kitchen section you will find the comprehensive SMEV sink and hob range these products are specified with flame failure devices as standard making them eminently suitable for Narrowboat use, many of these items are also available in full offshore marine spec produced entirely in stainless steel for saltwater applications. Please contact us to have this specification manufactured to order by request.

Our New Nautic glass cooker tops are full marine spec as standard, marine pan holders are available to order with the hobs having the location point installed by request. We carry in stock a range of High spec AGM batteries. We have from stock the well received Waeco CR & MDC compressor refrigerator range with marine installation frames available. Pages 46-47 contain our highly regarded range of chromed brass Designer Ultimate taps and showers operating with ceramic valves for reliability. On page 127 we have a great range of Marine heads at a great price without any compromise on our reputation for quality products. We also have an extensive range of flexible Nautic tanks to allow additional water, waste & fuel to be carried in the most awkward shaped places.

Take a browse through the complete catalogue to pinpoint products that meet all your needs. Any queries then please drop us a mail or give us a call, we are always here to help.

**WE CAN NOW OFFER THE FULL JABSCO, RULE AND FLOJET HIGH QUALITY MARINE PRODUCTS RANGE. PLEASE CONTACT WITH YOUR REQUIREMENTS AND WE WILL CONFIRM PRICES**

**AQUA HOUSE, 10 PRINCES DRIVE INDUSTRIAL ESTATE, KENILWORTH, WARWICKSHIRE, CV8 2FD.**

**ORDERLINE 0844 414 2324 FAX: 0844 414 2425**

**sales@nauticproducts.co.uk www.nauticproducts.co.uk**

**sales@caktanks.com www.caktanks.com**

**Trade & Export enquiries: sales@caktanks.co.uk**

## MARINE

Page 126-131

DECK FILLERS	TOILET WASTE PUMPS
SCREENED VENT	BILGE STRAINERS
SKIN FITTINGS	HAND & FOOT OPERATED PUMPS
MARINEFLEX HOSE	ELECTRIC TOILETS
PUMP STRAINER	Y VALVES
BILGE PUMPS	CARBON VENT FILTER
FLOAT SWITCHES	VENTED LOOPS
SUPERSUB PUMP	NAUTIC BOILERS & CALORIFIERS
DIVERTER VALVES	SHURFLO MARINE FRESH PUMPS
DRAIN & WASTE PUMPS	NAUTIC FLEXIBLE TANKS

### NEW SHURFLO MARINE FRESH WATER PUMPS

#### Shurflo Aqua King Pumps

SHURflo Marine pumps guarantee quiet operation and smooth performance while providing the ultimate in durability and reliability. Designed and built specifically for the harsh marine environment, SHURflo pumps are equipped with sealed switches and seamless e-coated motors. CE marked, Thermally Protected & Ignition Protected. 3 Year Warranty. Filters for Aquaking pumps see pics A to D page 27)

**SFM3901-0213** Aqua King Standard 3.0 12v DC 5A Flow 11.35 Lpm (3GPM) 30psi Size 184 x 127 x 118mm (pic B)

#### PAR-Max 1

Miniature multi outlet water pressure pump serves 1 or 2 3/8" (10mm) outlets at any one time. Models include both automatic and manual pumps. 1.1 gpm (4.3 lpm) open flow output. Self-priming up to 4ft (1.2m), Dual diaphragm operation, Thermal overload protection automatically stops motor should it overheat due to overload, with auto re-start feature, Diaphragm design allows dry running, Pressure switch cut-in 22 psi (1.5 bar), cut-out 35 psi (2.4 bar), Fitting: Connections for 3/8" (10mm) ID hose and slip-on 1/2" (13mm) bushings. Size: 6.4" long x 3.5" wide x 2.3" high (16cm x 9cm x 6cm).

**JM42630-2900** PARMAX 1 4.3LPM 22-35PSI 12V AUTO

**JM42631-2900** PARMAX 1 4.3LPM 12V MANUAL

#### JABSCO MARINE PAR-Max 1.9

The PAR-Max 1.9 Water System Pumps is designed for vessels requiring a smooth low flow, 12 or 24 volt DC pump at an attractive low price. This new pump is internally grounded, three chamber diaphragm on-demand pump with the performance characteristics to match the needs of a typical vessel with a shower, water heater and up to three faucets. Fitting: Hose barb or NPT (both supplied). Size: 9" long x 4.5" wide x 4.5" high (23cm x 11cm x 11cm). Weight: 3lb (1.4kg). Flow: 0-1.9 gpm (0-7.2 lpm).

**JM31295-0092** PARMAX 1.9 PUMP 12V 25PSI 7.2 LPM 1.9GPM

#### JABSCO MARINE PAR-Max 2.9

The PAR-Max 2.9 Water System offers a smooth flow of up to 2.9 gpm (10.9 lpm) and is fitted with a built in pulsation dampening bypass to control unwanted cycling and noise. We include quick-connect fittings for ease of pump installation. Self priming up to 6-10ft (2-3m), Dry running, Soft rubber mounts, Complies with ISO 8846 MARINE (Ignition Protection), Low noise, Less pulsation in the flow, Screw-less diaphragm design eliminates possible leak paths, Distinctive style, Can eliminate the requirement for an accumulator tank. Fitting: Hose barb or NPT (both supplied). Size: 9" long x 4.5" wide x 4.5" high (23cm x 11cm x 11cm). Weight: 4lb (1.8kg). Flow: 0-2.9 gpm (0-10.9 lpm).

**JM31395-0092** PARMAX 2.9 PUMP 12V 25PSI 10.9 LPM 2.9GPM

**JM31395-0094** PARMAX 2.9 PUMP 24V 25PSI 10.9 LPM 2.9GPM

**JM31395-0392** PARMAX 2.9 PUMP 12V 40PSI 10.9 LPM 2.9GPM

**JM31395-0394** PARMAX 2.9 PUMP 24V 40PSI 10.9 LPM 2.9GPM

#### PAR-Max 3.5 Water System Pump

This conventional pressure switch controlled pump enjoys the same pulsation free 3 chamber diaphragm design as our PAR-Max 2.9 & 1.9 but incorporates a heavy duty motor, giving higher flows and long life for such a small footprint. Like all Jabsco water pressure system pumps it is inherently quiet, self-priming and can run dry without damage. Quickconnect fittings are included. Self priming up to 3m (10ft). Fitting: 2 x 1/2" Male.

**JM32600-0292** PARMAX 3.5GPM 13.2LPM 12V 25PSI

**JM32600-0294** PARMAX 3.5GPM 13.2LPM 24V 25PSI



**JM42630**



**JM31295**



**JM31395**



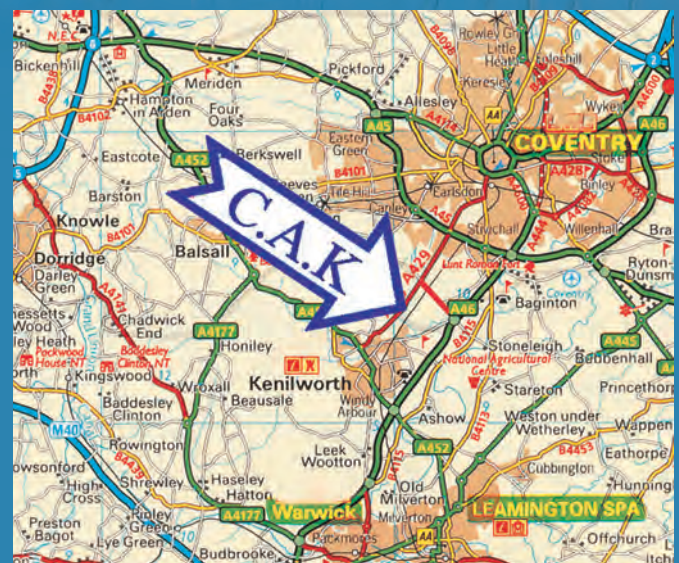
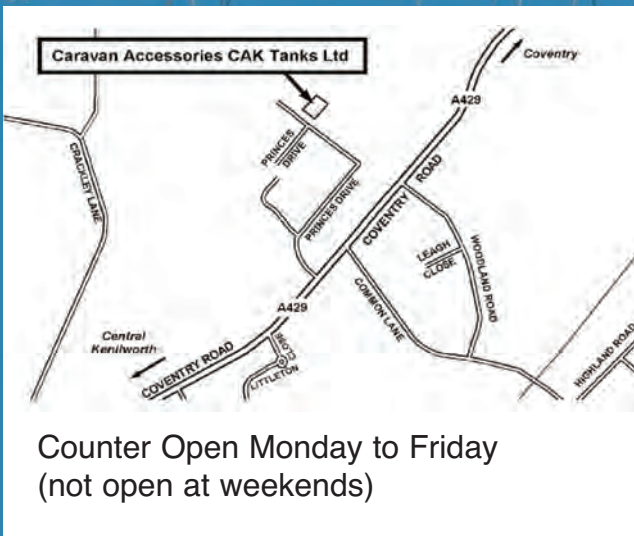
**JM32600**



**0844 414 2324 ORDERLINE**

sales@caktanks.com www.caktanks.com

**THE COMPLETE WATER SYSTEMS AND INTERIOR EQUIPMENT SPECIALIST**



**AQUA HOUSE**  
10 PRINCES DRIVE IND ESTATE, KENILWORTH,  
WARWICKSHIRE, CV8 2FD. UNITED KINGDOM

**FAX: 0844 414 2425**  
Telephone International: +44(0)1926 854271

**CARAVAN ACCESSORIES C.A.K. TANKS LTD**