

2 BURNER HOB NO GRILL 380mm x 280mm



STAINLESS STEEL
S2212 Hob
S2232 Hob + piezo ignition

4 BURNER HOB NO GRILL 470mm x 380mm



STAINLESS STEEL
S4014 Hob

2 BURNER HOB WITH GRILL 420mm x 370mm



STAINLESS STEEL
S1242 Hob
S1262 Hob + 12 V ignition

4 BURNER HOB WITH GRILL 470mm x 380mm



STAINLESS STEEL
S4054 Hob
S4074 Hob + 12 V ignition

2 BURNER COMBINATION UNIT WITH GRILL



STAINLESS STEEL
 L x W mm
S902090GRH 900x420 RH SINK
 NO DRAINER ON 900 MDL
S902105GL 1050x420 LH

1050 model pictured above

4 BURNER COMBO UNIT WITH GRILL 970 x 380



STAINLESS STEEL
S6054 Combo
S6074 Combo + 12 V ign

COMBO WITHOUT GRILL
S6014 Combo no grill

2 BURNER COMBINATION UNIT



STAINLESS STEEL
 L x W mm
S9020900L
S9021050L 1050x420 LH
S9021200L 1200x420 LH

1050 model pictured above

2 BURNER MIDI COMBINATION UNIT



STAINLESS STEEL
S917 600 x 420

2 BURNER NARROW COMBINATION UNIT



STAINLESS STEEL 911CV
S9118032L 800 x 325
 155mm deep

2 BURNER MINI COMBINATION UNIT



STAINLESS STEEL
S0927L 490x460 LH

CODE L OR LH DESIGNATES THE HANDING OF THE SINK AS ON LEFT HAND END OF UNIT. (RH = RIGHT HAND)

SQUARE SINK OR DRAINER 380x380 or 370x370



STAINLESS STEEL
S0932 380 x 380 145 DEEP
S0910 370 x 370 125 DEEP
S0912 370 x 370 45 DEEP

RECTANGULAR SINK OR DRAINER 380 x 280



STAINLESS STEEL
S0930 380 x 280 145 DEEP
S0938 380 x 280 45 DEEP

RECTANGULAR SINK AND LONG DRAINER UNIT



STAINLESS STEEL
S0934 650 x 380 145 DEEP

SQUARE SINK AND SHORT DRAINER UNIT



STAINLESS STEEL
S0936 590 x 370 125 DEEP



SMEV 7000 - 8000 SERIES INTEGRATED FLUSH FITTING HOBS, SINKS AND COMBINATION UNITS WITH GLASS COVERS C.A.K. HIGHLY RECOMMENDS THIS PRODUCT.

The built in flush fitting integral hinged glass cover is available in Black. 8000 series is a high quality range with crisp modern styling flush fitting integrated combination units in matt stainless steel. Glass lids are ideal for extra work surface. Glass cover must be lifted up when gas hob burners are ignited. 8000 series sinks require shallow folding taps no more than a maximum of 43mm high. Such as the DLT539 matt nickel mixer tap or for cold water only use DLT540C matt nickel single tap. See pages 29 to 33 in catalogue. Sinks do not have hole drilled for tap except S8123. This allows choice between the new taps on pages 29-33. With 8000 series installations if a grill is required a SG555 mini grill or 200 series oven should be installed see page 39-42.

A matching sink top waste bin STWB is available see page 42

8300 INTEGRATED COMBINATION UNITS

The 8300 series integrated combination units build on the quality and style of the 8000 series. The combined units add a new design and style focus to the modern kitchen installation. Sizes 680mm wide x 440mm deep. Bowl Depth 135mm Total height 150mm. **Taps for illustration and must be purchased separately.**

- S8302** 2 Burner hob with round sink combination unit with integral black glass cover
- S8322** 2 Burner hob + 12 V Ignition. with round sink combination unit with integral black glass cover
- S8303** 3 Burner hob with round sink combination unit with integral black glass cover
- S8323** 3 Burner hob + 12 V Ignition. with round sink combination unit with integral black glass cover.

INTEGRATED SINK & DRAINER UNIT

Smart integrated Sink and Drainer Unit to match the style of the 8300 series hobs. Dimensions 680 wide x 440mm deep. Depth into bowl 153mm.

- S8306** Integrated sink and drainer unit with black glass cover.
- S8306G** Integrated sink and drainer unit with silver grey glass cover.
- S8306NR** Integrated RH sink and drainer unit without glass cover.
- S8306NL** Integrated LH sink and drainer unit without glass cover.

INTEGRATED COMBINATION UNITS

The integrated combination units build on the quality and style of the 8000 series. The combined units add a new design and style focus to the modern kitchen installation.

- S7123** 3 Burner hob + 12 V Ignition. with rectangular sink combination unit with independent integral black glass covers. 800mm wide x 460mm deep. Bowl Depth 135mm.
 - S8123** 3 Burner hob + 12 V Ignition. with round sink combination unit with independent integral black glass covers. With hole for tap between covers. 970mm wide x 430mm deep. Bowl Depth 145mm.
- PLEASE NOTE DLT539 TAP DOES NOT FIT THIS UNIT**

SMEV HOB AND SINK SET

NEW Special split version of 8123 allowing independent placing of the two components or mix and match with other items in the range.

- S8203** 3 Burner hob with integral black glass cover 520mm wide x 430mm deep
- S8206** Integrated round sink unit with independent integral black glass cover. 420mm wide x 430mm deep. Bowl Depth 145mm. With tap hole suitable for DLT539

NEW NARROW INTEGRATED COMBINATION UNIT

The NEW 9222 narrow integrated combination units allow the style and quality of the 8000 series to be installed in more compact campers.

- Sizes 900mm long x 370mm wide. Bowl Depth 135mm Total height 150mm.
- S9222LH** 2 Burner hob with piezo Ignition and left hand sink narrow combination unit with twin integral black glass covers
- S9222RH** 2 Burner hob with piezo Ignition and right hand sink narrow combination unit with twin integral black glass covers



8302



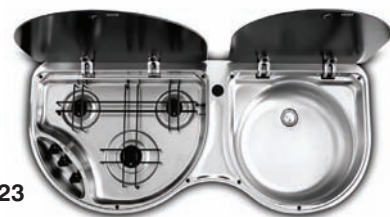
8303



8306
Also available no glass



7123



8123



8203
HOB



8206
SINK



9222RH



SMEV 8000 SERIES INTEGRATED FLUSH FITTING HOBS AND SINKS WITH GLASS COVERS



SINK & COVER

S 8006 420mm x 440mm
STAINLESS STEEL
S8006 BLACK GLASS
S8006G SILVER GREY GLASS

Tap shown as suggestion only. To be ordered separately, see pages 29 to 33.

DRAINER & COVER
420mm x 440mm x 46mm Deep
S8010 BLACK GLASS
S8010G SILVER GREY GLASS



SINK & COVER

S-8005 420mm x 370mm
STAINLESS STEEL
S8005 BLACK GLASS
S8005G SILVER GREY GLASS

Tap shown as suggestion only. To be ordered separately, see pages 29 to 33.

DRAINER & COVER
420mm x 370mm x 46mm Deep
S8011 BLACK GLASS
S8011G SILVER GREY GLASS



3 BRN HOB + COVER
S 8003 560mm x 440mm
STAINLESS STEEL
BLACK GLASS LID
S8003 Hob
S8023 Hob + 12V ignition

SILVER GREY GLASS LID
S8003G Hob
S8023G Hob + 12V ignition



2 BRN HOB + COVER
S-8002 480mm x 370mm
STAINLESS STEEL
BLACK GLASS LID
S8002 Hob
S8022 Hob Piezo ignition

SILVER GREY GLASS LID
S8002G Hob
S8022G Hob Piezo ignition

MARINE PANHOLDER FOR 8000 SERIES.

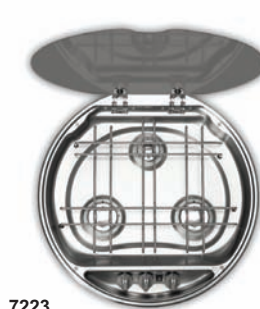
Pan holder pair for attachment to 8002 pan supports
SAC538 MARINE PANHOLDER FOR S-8002 SERIES



INTEGRATED ROUND 3 BURNER HOB AND MATCHING SINK

Smart integrated Round Sink Unit in the style of the 8000 series with matching round 3 burner hob with 12v electronic ignition. Choice of taps that stow away under the glass lid is the same as other 7-8000 units.

- S7306** Integrated round sink unit with black glass cover. Dimensions 420mmØ, Sink depth into bowl 148mm.
- S7223** Integrated round 3 burner hob + 12v ign & black glass cover. Dimensions 480mmØ, height 108mm.



7223



7306

INTEGRATED INLINE 3 BURNER HOB

Another new style hob this is a narrow inline 3 burner unit with 12v electronic ignition. Size 590mm wide x 350 deep, height 141mm.

- S8463** Integrated inline 3 burner + 12v ign hob unit with black glass cover.



8463



9003

INTEGRATED TRICORN 3 BURNER HOB

Yet another new hob is a stylish triangular 3 burner unit with integrated glass cover. Dimensions 490mm wide x 490 deep.

- S9003** Integrated Tri-corn 3 burner hob unit with black glass cover.

INDIVIDUAL SINGLE BURNER HOB

A new simple and smart single burner hob with piezo ignition. Install it on its own in smaller kitchens or fit more side by side or offset to create a feature. Size 320mm x 240mm

- S8621RP** 1 LARGE 2.2Kw BURNER HOB + PIEZO IGNITION
- S8621SR** 1 MEDIUM 1.8Kw BURNER HOB + PIEZO IGNITION
- S8621AU** 1 SMALL 1Kw BURNER HOB + PIEZO IGNITION

ROUND ABOVE COUNTERTOP BOWL

A very stylish new stainless steel bowl. High quality heavy gauge mirror polished stainless steel.

- SELK9510** Above countertop bowl. Size 290mmØ x 120mm above countertop.



8621



SELK9510

IMPORTANT NOTE: ALL GAS APPLIANCES MUST BE INSTALLED BY A QUALIFIED GAS ENGINEER. IF APPLIANCE IS DIY INSTALLED THE GAS INSTALLATION MUST BE INSPECTED FOR SAFETY BY A COMPETENT PERSON BEFORE USE. ALL SMEV PRODUCTS ARE FITTED WITH FFD FLAME FAILURE CUT OFF DEVICES AS STANDARD. WE NOW OFFER INSTALLATION SERVICE



8800 INTEGRATED COMBINATION UNITS

The integrated combination units build on the quality and style of the 8000 series. The combined units add a new design and style focus to the modern kitchen installation. Drainer plate and waste bowl supplied with S8821L & R. Tap not included use DLT539

- S8821L** 1 Burner hob +Piezo Ignition & left hand sink combination unit with integral black glass cover & waste bowl. 525mm wide x 421mm deep.
- S8821R** 1 Burner hob +Piezo Ignition & Right hand sink combination unit with integral black glass cover & waste bowl. 525mm wide x 421mm deep.
- S8822L** 2 Burner hob +Piezo Ignition (Left hand large burner) with integral black glass cover. 525mm wide x 421mm deep.
- S8822R** 2 Burner hob +Piezo Ignition (Right hand large burner) with integral black glass cover. 525mm wide x 421mm deep.



S8821L



S8821R



S8822L



S8822R

8800 SERIES ACCESSORIES

Specific handed drainer plate for 8800 series, will also fit hobs. Fits over single burner on combo units or small burner on hobs (Drainer plate is included with S8821) See picture right showing drainer plate and waste bowl fitted.

- S88AC620** Spare waste bowl
- S88001** DRAINER COVER LH
- S88002** DRAINER COVER RH



SMGPAN

Smev non-stick grill pan with detachable handle.



S0945 Double sink unit in Stainless Steel.
Size 575mm wide x 370 deep. Depth into bowl 110mm



ROUND SINK
S0928 Sink 400mmØ 130 deep
S0933 Sink 400mmØ 145 deep



ROUND DRAINER
S0929 Drainer 400mmØ 45 deep

SMEV HARDWOOD CUTTING BOARD



CODE	FOR MODELS
SCB570	Round 928,929,933

CODE	FOR MODELS
SCB571	902, 912, 936, 937, 6000
SCB578	930, 938
SCB581	SERIES 8000

SMEV DISH RACKS



CODE	SIZE
SDR702	340 x 240 mm
SDR703	340 x 185 mm

CODE	SIZE
SDR701	310 x 305 mm
SDR704	330 x 230 mm

SMEV SINK WASTES FOR SMEV UNITS

Special waste designed for Smev sink units. Waste has smaller rim diameter on stainless top to fit into recess around pressed waste hole in the Smev product range. These wastes will fit as replacements on most continental designed sink units. All Smev sinks supplied by us that require a waste come with SVSW9020 included within the box.

- SVSW18020** SMEV S/S STRAIGHT WASTE FOR 20MM (3/4") HOSE (A)
- SVSW18025** SMEV S/S STRAIGHT WASTE FOR 25MM (1") HOSE (A)
- SVSW55725** SMEV S/S 2 OUTLET TRAP WASTE 25MM (3/4") HOSE 1 OUTLET CAPPED (REMOVABLE) (C)
- SVSW56020** SMEV S/S 1 OUTLET TRAP WASTE 20MM (3/4") HOSE
- SVSW9020** SMEV S/S ANGLED WASTE FOR 20MM (3/4") HOSE (B)
- SVSW9025** SMEV S/S ANGLED WASTE FOR 25MM (1") HOSE (B)
- SVSWPLUG** SPARE PLUG FOR SMEV SINK WASTE



IMPORTANT NOTE: ALL GAS APPLIANCES MUST BE INSTALLED BY A QUALIFIED GAS ENGINEER. IF APPLIANCE IS DIY INSTALLED THE GAS INSTALLATION MUST BE INSPECTED FOR SAFETY BY A COMPETENT PERSON BEFORE USE. ALL SMEV PRODUCTS ARE FITTED WITH FFD FLAME FAILURE CUT OFF DEVICES AS STANDARD



0844 414 2324



0844 414 2425

SMEV MARINE SPEC CURVED DOOR OVENS & COOKER HOODS



Designed to complete SMEV's Motorhome product range, the ovens offer the same cooking performance and gas marks as a standard household oven. In-depth research results in uniform heat distribution inside the oven and low gas consumption.

MOTORHOME & MARINE CURVED GLASS DOOR OVEN

The very stylish new curved glass door oven range from smeV is designed to complement the newer style refrigerators with modern curved doors. Available in 20 Litre and 30 Litre cavity sizes with left or right hand hinged door. The 291 & 391 ovens are designed with exterior exhaust venting to the roof. Additional venting components will be required. See below. The ovens are built to marine use specifications for installation in watercraft. Left hand versions pictured.



SOV291GTLIL

30 LITRE CURVED GLASS DOOR OVEN

Size: Width 525mm x Depth 422mm x Height 438mm without door.

SOV391GTLIL 391 Curved glass 30 Litre Oven, Thermostat, Grill, Interior Lamp & 12v Electronic Ignition with left hand hinged door.

SOV391GTLIR 391 Curved glass 30 Litre Oven, Thermostat, Grill, Interior Lamp & 12v Electronic Ignition with right hand hinged door.

20 LITRE CURVED GLASS DOOR OVEN

Size: Width 525mm x Depth 422mm x Height 315mm without door.

SOV291GTLIL 291 Curved glass 20 Litre Oven, Thermostat, Grill, Interior Lamp & 12v Electronic Ignition with left hand hinged door

SOV291GTLIR 391 Curved glass 30 Litre Oven, Thermostat, Grill, Interior Lamp & 12v Electronic Ignition with right hand hinged door.

ROOF CHIMNEY COMPONENTS FOR 291 & 391 OVENS

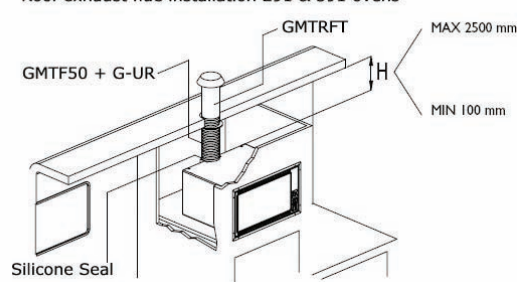
Components for safe installation of oven roof flue assembly. UR ducting is used as a heat protection shield over-sleeving the stainless exhaust flue pipe.

GMTRFT Roof flue cowl

GMTF50 50MM Stainless flexible exhaust flue tube per mtr

G-UR Over duct for exhaust pipe per mtr

Roof exhaust flue installation 291 & 391 ovens



SCHSW40

for dimensions see drawing on page 42

NEW HIGH SPEC MATCHING STAINLESS STEEL COOKER HOODS

Our new range of cooker hoods have been expressly designed to complement the SMEV range of cooking appliances. The hoods have been developed and manufactured to the highest standards of quality for a trouble free installation and a pleasing finished installation. Produced specially for the motorhome and inland waterways industry. The underside extraction zone incorporates an aluminium panel filter as you would find in a domestic hood (not Omega). Standard outlet 80mm hole in upper surface. All hoods require adaptor SCH60ADPT to connect to 60mm SCH60DUCT ducting to vent air outside to either roof flue SCH60RFL or sidewall vent SCH60VW.

NEW Swing 40cm Stainless Steel cooker hood 12 volt only with two built in 10w halogen down lighters. Fan flow rate of 200m³/h. Controls for fan and lighting is easy to hand on the front edge of the hood. Dimensions 400mm wide x 280mm deep X 50mm high.

SCHSW40 SWING 40CM COOKER HOOD STAINLESS 12V 2 X HALOGEN SPOTLIGHTS

NEW Omega Basic 38cm Stainless Steel simple design cooker hood 12 volt only. Fan flow rate of 120m³/h. On/off switch to underside.

SCHOMB OMEGA BASIC 38CM COOKER HOOD STAINLESS 12V

NEW Omega Flat 38cm Stainless Steel simple design cooker hood 12 volt only. Fan flow rate of 120m³/h. 2 x On/off switch to underside for fan & two built in 10w halogen down lighters.

SCHOMF OMEGA FLAT 38CM STAINLESS COOKER HOOD 12V 2 X HALOGEN SPOTLIGHTS

NEW Block Filter Basic 40cm Grey finish steel flush fitting design cooker hood 12 volt only. Fan flow rate of 120m³/h. On/off switch & mesh filter panel to underside.

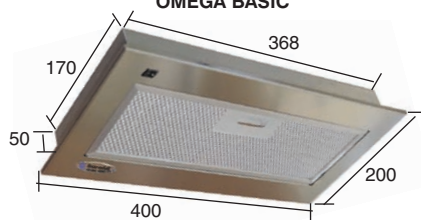
SCHBFBG BLOCK FILTER BASIC 40CM COOKER HOOD GREY 12V



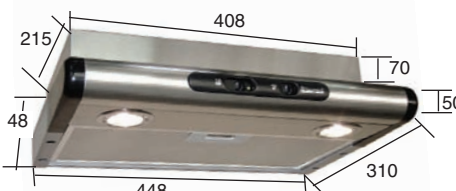
OMEGA BASIC



OMEGA FLAT



BLOCK FILTER BASIC



SIGMA FILTERING



VANTA LED FILTERING

NEW RECIRCULATING FILTERING COOKER HOODS

The filtering hoods can be installed without external exhaust connection. An internal lever allows easy conversion of an externally exhausted hood into filtering mode. Fan flow rate of 230m³/h.

NEW Shade filtering Hood 40cm Stainless Steel cooker hood 12 volt only. Controls for fan and lighting on the front edge of the hood. 2 x Halogen spotlights.

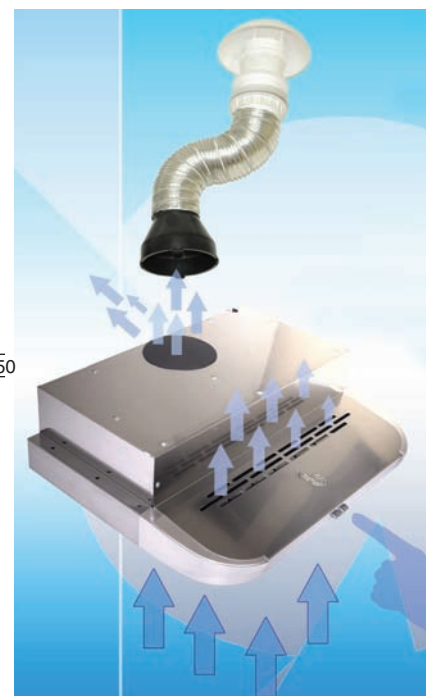
SCHFSH SHADE FILTERING 40CM COOKER HOOD STAINLESS 12V 2 X HALOGEN SPOTLIGHTS

NEW Sigma filtering Hood 40cm Stainless Steel cooker hood 12 volt only. Push button controls for fan on the front edge of the hood.

SCHFSG SIGMA FILTERING 40CM COOKER HOOD STAINLESS 12V

NEW Vanta LED filtering Hood 40cm Stainless Steel cooker hood 12 volt only. Push button controls for fan and integrated LED lighting on the front edge of the hood.

SCHFVT VANTA FILTERING BASIC 40CM COOKER HOOD STAINLESS 12V



SHADE FILTERING can also be ducted externally



SMEV COOKERS & OVENS



The Smev range of kitchen appliances are of the highest quality in design, construction and usability. They have many advanced features, styled to please the eye with sweeping curves and smooth profiles Smev units are renown for providing great satisfaction during their use, while being an easy to fit long lasting & trouble free product. Designed to complete SMEV's product range, the ovens & cookers offer the same cooking performance and gas marks as a standard household oven. In-depth research results in uniform heat distribution inside the oven and low gas consumption. The oven & cooker ranges come with cool touch ventilated double glazed doors for safety; internal glass within door is easily removed for cleaning. Stainless ovens have ultra modern smart semi-mirror glass doors. The ovens are insulated and fully externally clad as standard making installation easier. All Smev ovens have rounded easy clean interiors. Ovens and cookers are not freestanding and must be fitted into furniture. Ovens and hobs run on both Butane and Propane gas at 28, 30 & 37 mbar pressure. Ignition and lamps available 12 volt dc only (optional extras where available).

SMEV 555 MINI GRILL

Complete grill and casing with glass hinge down door. Door must be open when grill is in use. This is not a small oven it is an independent build in grill. The 555 mini grill cannot be used freestanding it must be built in.

- SG555** 555 BUILD IN GRILL
- SG555PI** 555 BUILD IN MINI GRILL with Piezo ignition
- SG555PIL** 555 BUILD IN MINI GRILL with Piezo ignition & Interior lamp



555 GRILL

SMEV COOKERS WITH HINGE DOWN DOOR

Incorporating all the quality features of Smev ovens and hobs. The cookers allow all features to be installed in one unit. Ideal for restricted space kitchen areas.

- SH4OVGT** O311FGT 4 burner hob + oven + thermostat with grill built in
- SH4OVGTLI** O311FGT 4 burner hob + oven + thermostat with grill built in + 12v interior lamp and 12 v ignition to oven and grill burners.



**0311 FGT
4 BURNER COOKER**



OF300FT/OF311 FGT

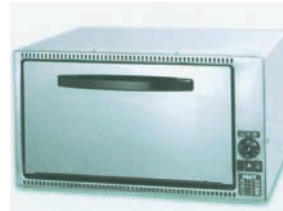
30 LITRE OVEN WITH HINGE DOWN DOOR

- SOV30T** OF300FT 30 litre oven + thermostat without grill
- SOV30GT** OF311FGT 30 litre oven + thermostat with grill built in
- SOV30GTLI** OF311FGT 30 litre oven + thermostat with grill built in + 12v interior lamp and 12 v ignition to oven and grill burners.

NEW 20 LITRE OVEN WITH HINGE DOWN DOOR

New for 2004 a new small oven developed due to the numerous requests for this size. The oven will make retrofitting an oven to Continental motorhomes much easier.

- SOV20T** OF200FT 20 litre oven + thermostat without grill
- SOV20GT** OF211FGT 20 litre oven + thermostat with grill built in
- SOV20GTLI** OF211FGT 20 litre oven + thermostat with grill built in + 12v Interior lamp and 12 v ignition to oven and grill burners.



OF200FT/OF211 FGT

SMEV MARINE COOKERS - OFFSHORE RANGE

If you intend to cook off shore in rough weather you need the prestige range of 100% Marine Grade Stainless Steel Cookers from SMEV. The 4 Burner all stainless version with Hob, Oven with integral Grill. Is fully gimbaled. The SMEV 4 burner cooker is excellent for any galley, it features 12v Electronic Ignition, Thermostatic Oven Control, Interior Lamp, Over Door Lock, view through mirror Glass Fronted hinge down Door, Fitted with Pan Holders, and Fiddle Rail, all burners fitted with flame failure cut off (as all SMEV appliances are) & finished in brushed stainless steel for easier cleaning. Side heat shields are included with cooker. Dimensions: Gimbaled 524W x 500D x 505H approx.

- SOVM311GTLI** Full marine spec cooker 4 burner Gimbaled



SOVM311GTLI

400 SERIES SMEV INTEGRATED MODULAR COOKER

Latest design matt finish stainless steel units. Very high quality modern design from Smev. The modular concept allows many new design variations of your kitchen installation. The S402 hob with integrated grill cabinet is a significant new design feature.



S402 4 burner hob, crystal glass hob cover & grill cabinet. Size: width 484mm, depth 514mm, height 244mm



S404 4 burner hob, crystal glass hob cover & thermostatic hinge down door oven. Size: width 484mm, depth 514mm, height 499mm.



S401 4 burner hob, crystal glass hob cover, grill cabinet & thermostatic hinge down door oven. Size: width 484mm, depth 514mm, height 575mm



S400 4 burner hob, crystal glass hob cover, grill cabinet, thermostatic hinge down door oven and left hand hinged pan storage cabinet. Size: width 484mm, depth 514mm, height 914mm.

IMPORTANT NOTE: ALL GAS APPLIANCES MUST BE INSTALLED BY A QUALIFIED GAS ENGINEER. IF APPLIANCE IS DIY INSTALLED THE GAS INSTALLATION MUST BE INSPECTED FOR SAFETY BY A COMPETENT PERSON BEFORE USE. ALL SMEV PRODUCTS ARE FITTED WITH FFD FLAME FAILURE CUT OFF DEVICES AS STANDARD



0844 414 2324



0844 414 2425



GAS CERAMIC COOK TOPS - AN ELEGANT WAY TO COOK WITH GAS

These ceramic cook tops can be used for both motorhome and marine applications. They work with gas and extremely efficiently at that. Each hotplate has a simmering plate behind it, which is heated by the flue gas from the burner in front.

This means you can cook in two pans when operating one burner. The frameless cook tops are completely flush with the countertop, which makes cleaning a breeze. Installation takes just a few steps; a chimney connection is not required.

Cooking areas [boiling plate + simmering plate using waste heat from the burner], flush fitting control knobs, electronic 12-volt ignition, high efficiency burners [boiling time of 1 litre water: 7.5 min], easy to clean, frameless design with beveled glass, easy installation with no chimney required. Hot surface indicator for maximum safety.

	DCCK09	DCC09
No of burners	1	2
COOKING AREAS	2 (1 BOILING PLATE & 1 SIMMERING PLATE)	4 (2 BOILING PLATES & 2 SIMMERING PLATES)
Burner output kW	1 x 1.6	1 x 1.6 & 1 x 1.3
Gas consumption	115 g/h	210 g/h
Weight	6 kg	10.8kg
Dimensions	398Wx95Hx505D	558Wx95Hx505D
Build in Dimensions	377W x 488D	537W x 488D



DCCK09



DCC09

NEW SMEV 433 NARROW COOKER & MARINE VERSION

NEW narrow cooker with 3 Burner glass surface hob, thermostatic oven with grill & 12 volt ignition to all burners. Reduced width dimensions for easier installation or to fit in replacement of existing ovens. Dimensions approx 445w x 463h x 474d

- SC433** 3 burner glass hob cooker with oven, grill, ignition and intergrated glass cover
- SC433M** 3 burner glass hob Marine cooker with oven, grill & ignition, with gimblas and pan support



SC433



SC433

NEW FLUSH FIT SMEV MOONLIGHT COOKTOP

The S8723 is a new flush fitting 3 Burner narrow glass integrated hob top with 12v ignition. Dimensions overall 520 x 380 x 59mm

- S8723** 3 BURNER SMEV GLASS HOB



**S8723
MOONLIGHT
COOKTOP**



SC433



**SC433M
NARROW MARINE
COOKER**

NEW OVEN TURNTABLE FOR EVEN COOKING

New from SMEV is a turntable shelf for the 20 & 30 litre ovens. Designed to make even temperature cooking the norm for a gas oven. Allowing food to remain cooking without the need for constant opening and turning of the food to get the cooking even. Great for pizzas roasts and cakes etc. Available to order the turntable shelf connects to the integrated motor in the oven

20 LITRE OVEN WITH HINGE DOWN DOOR & TURNTABLE

- SOV20GTLITT** OF211FGT 20 litre oven + thermostat with grill built in + 12v interior lamp and 12 v ignition to oven and grill burners. Integrated turntable shelf.

30 LITRE OVEN WITH HINGE DOWN DOOR & TURNTABLE

- SOV30GTLITT** OF311FGT 30 litre oven + thermostat with grill built in + 12v interior lamp and 12 v ignition to oven and grill burners. Integrated turntable shelf.



New oven Turntable



New oven turntable

IMPORTANT NOTE: ALL GAS APPLIANCES MUST BE INSTALLED BY A QUALIFIED GAS ENGINEER. IF APPLIANCE IS DIY INSTALLED THE GAS INSTALLATION MUST BE INSPECTED FOR SAFETY BY A COMPETENT PERSON BEFORE USE. ALL SMEV PRODUCTS ARE FITTED WITH FFD FLAME FAILURE CUT OFF DEVICES AS STANDARD



NEW FLUSH MOUNT GLASS HOBS & COMBINATION UNITS

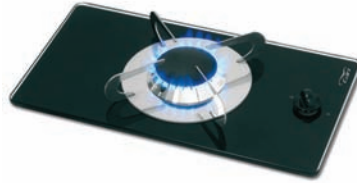


New high quality cooker tops made with tempered anti-scratch crystal glass for crisp modern styling. Surface mounted gas hobs and sink combo units complete with stainless steel inset sink. For marine use all the hobs and combo units come with integrated socket for column pan holders. Marine pan holders available as an accessory.
BURNER OUTPUTS: STANDARD 1000W – 73g/h; SEMI-RAPID 1900W – 127g/h; RAPID 3000W -218g/h.

FLUSH MOUNTING GLASS HOBS

- CGH1320** Crystal glass 1 burner hob unit with 1 semi-rapid burner. Size 320 x 285mm x height 47mm above 100mm below 5 kg
- CGH1350** Crystal glass 1 burner hob unit with 1 semi-rapid burner. Size 365 x 200mm x height 47mm above 100mm below 5 kg
- CGH1351** Crystal glass 2 burner hob unit with 1 standard and 1 semi-rapid burner. Size 380 x 280mm x height 47mm above 100mm below 7 kg
- CGH1352** Crystal glass 3 burner hob unit with 1 standard, 1 semi-rapid & 1 rapid burner. Size 400 x 300mm x height 47mm above 100mm below 10 kg
- CGH1355** Crystal glass 3 burner hob unit with 1 standard, 1 semi-rapid & 1 rapid burner. Size 505 x 410mm x height 47mm above 100mm below 10 kg
- CGH1357** Crystal glass 2 burner hob unit with 1 semi-rapid and 1 rapid burner. Size 500 x 300mm x height 47mm above 100mm below 8 kg

CGH1350



CGH1320



CGH1351



CGH1352



FLUSH MOUNTING COMBO UNITS

- CGC1360** Crystal glass Combination Unit 2 burner gas hob (600 x 420 x height 47mm above 180mm below) complete with polished stainless steel sink 300mm dia x 180mm deep. 2 Semi rapid burners 15KG
- CGC1361** Crystal Glass Combination Unit 3 burner gas hob (800 x 420 x height 47mm above 180mm below) complete with polished stainless steel sink 300mm dia x 180mm deep. 1 Standard, 1 Semi Rapid & 1 Rapid burner. 18KG

CGH1355



CGH1357



MARINE PAN HOLDERS

- CGA1370** COLUMN KIT 1 PAN HOLDER FOR 1350
- CGA1371** COLUMN KIT 2 PAN HOLDER FOR 1351 & 1360
- CGA1372** COLUMN KIT 3 PAN HOLDER FOR 1352 & 1362

CGC1360



CGC1361



INTEGRATED HOB AND SINK UNITS

Integrated single burner hob with black glass lid 340mm diameter 80mm height. 1 semi rapid burner. 2.13kg

CGH1345 1 BRN & GLASS LID

CGS1750 Integrated sink unit with hinged black glass cover and single folding cold tap 380 diameter x 180 deep. 5 kg

CGS1751 Integrated sink unit with hinged black glass cover and single folding cold tap 300 diameter x 180 deep. 3.4 kg



CGH1345



CGH1345



CGS1750

NEW SMEV GLASS SURFACE HOBS

INTEGRATED GLASS SURFACE 3 BURNER HOBS

Another new hob range from SMEV is a narrow inline 3 burner unit with 12v electronic ignition. Size 590mm wide x 350 deep, height 160mm.

S8423GL Integrated Glass Surface inline 3 burner + 12v ign hob unit with black glass cover.

8000 Series 3 burner Hob with new Integrated Glass Surface & 12v ign. Size 560mm wide x 440 deep. Hob is sized to match the S8005 sink unit.

S8023GL Integrated Glass Surface 3 burner + 12v ign hob unit with black glass cover

S8023GL



S8423GL

IMPORTANT NOTE: ALL GAS APPLIANCES MUST BE INSTALLED BY A QUALIFIED GAS ENGINEER. IF APPLIANCE IS DIY INSTALLED THE GAS INSTALLATION MUST BE INSPECTED FOR SAFETY BY A COMPETENT PERSON BEFORE USE. ALL SMEV PRODUCTS ARE FITTED WITH FFD FLAME FAILURE CUT OFF DEVICES AS STANDARD

WE NOW OFFER INSTALLATION SERVICE



0844 414 2324



0844 414 2425



INTEGRATED WORKTOP WASTE BIN

New integrated waste bin matches style of Smev 8000 range. Matt stainless frame with built in flush fitting integral hinged glass cover. Waste bucket has a capacity of 2 litres and is easily removed for emptying with its folding handle.

Size 182 mm deep, 192 mm length, 210 mm width.
STWB Integrated worktop waste bin

FLEXIBLE SINK BASE PROTECTOR

Flexible vinyl sink base protection mat protects base of sink from the knocks and bumps and Scratches in day to day usage. Ideal for enamel sinks. Almond colour, size 255mm x 300mm. Can be cut to size.

SBPM Flexible Sink base protection mat

NEW STAINLESS CLEANING WIPES

New cleaning solution to keep your stainless appliances looking their best.

PS024 Duzzit cleaning wipes resealable pack of 30

SMEV GLASS COVERS

One piece glass covers for sinks and hobs, Brown is our standard stock colour. Grey and Mirror colours, if not in stock, are available manufactured to order. Always check stock availability for alternate colours.

Code	Model	Colour	Fits following SMEV hob or sink
SHC263B	263	Brown	Series.2000 - 930 - 938 - 963 - 971
SHC264B	264	Brown	909 - 910 - 931 - 932 - 937 - 950 951 - 955 - 965 - 966 - 970 - Series.1000
SHC267B	267	Brown	913 - 958
SHC270G	270	Grey	Series.4000 & Series.6000
SHC271M	271	Mirror	COOKERS 0300F - 0311FG Half folding glass covers
SHC770B	770	Brown	Series.4000 & Series.6000
SHC770G	770	Grey	Series.4000 & Series.6000



PS024



SBPM



STWB

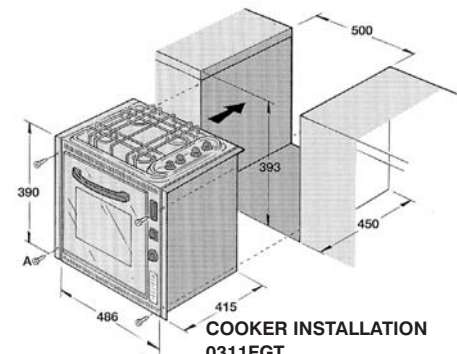
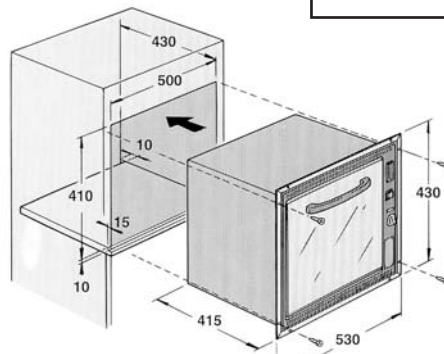
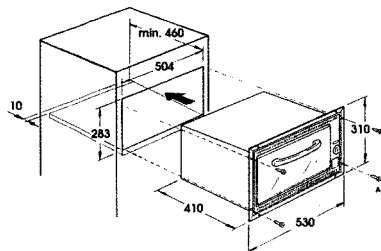
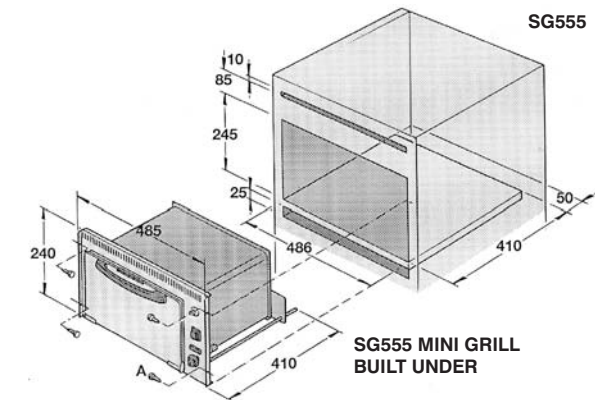
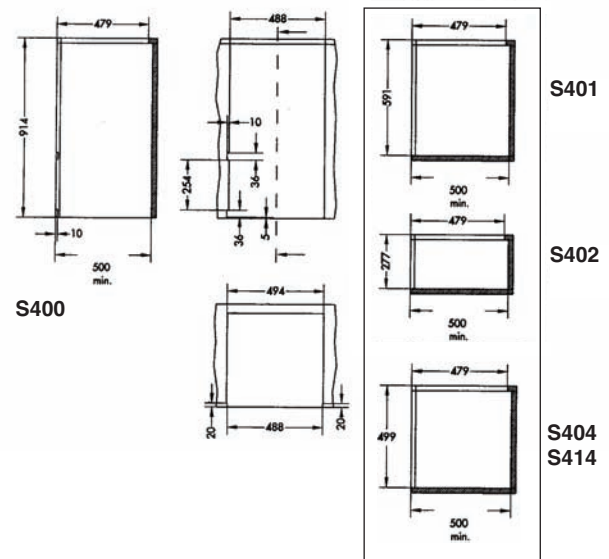


SERIES 200



SERIES 700

S400 SERIES DIMENSIONS



IMPORTANT NOTE: ALL GAS APPLIANCES MUST BE INSTALLED BY A QUALIFIED GAS ENGINEER. IF APPLIANCE IS DIY INSTALLED THE GAS INSTALLATION MUST BE INSPECTED FOR SAFETY BY A COMPETENT PERSON BEFORE USE. ALL SMEV PRODUCTS ARE FITTED WITH FFD FLAME FAILURE CUT OFF DEVICES AS STANDARD